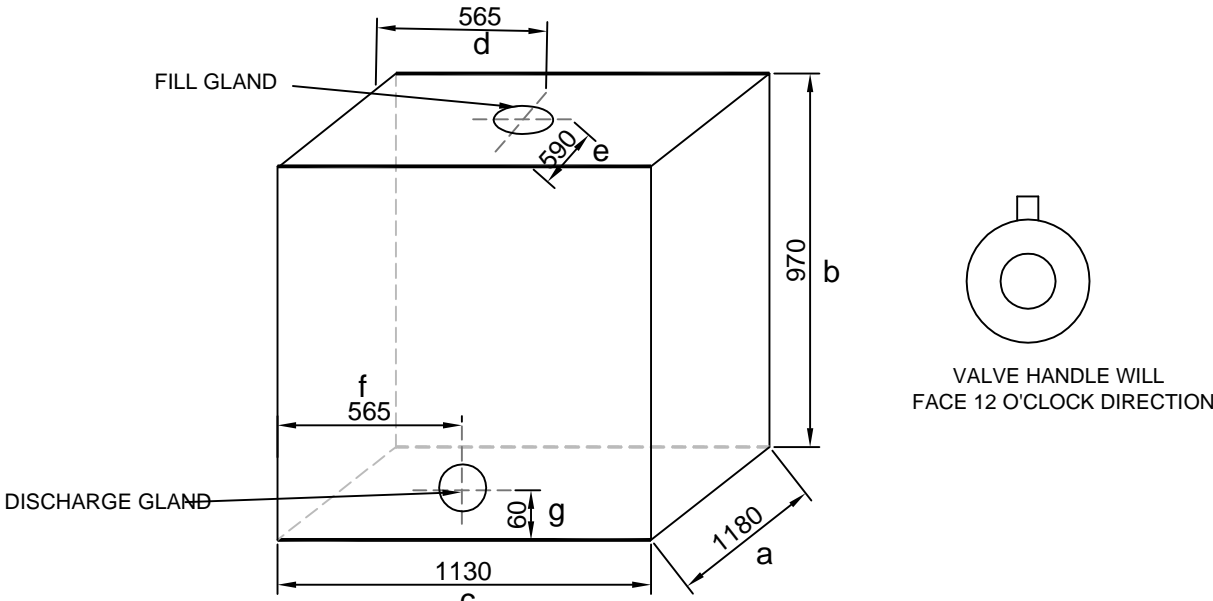


TECHNICAL SPECIFICATIONS

ARTICLE	05920POC132E
QUANTITY	

MATERIAL	MATERIAL DESCRIPTION
OUTER LAYER	80μ CLEAR LLDPE+mLLDPE <small>This film meets the requirements of FDA 21.CFR.177.1520 and 2004/19/EC</small>
INTERMEDIATE LAYER	80μ CLEAR LLDPE+mLLDPE <small>This film meets the requirements of FDA 21.CFR.177.1520 and 2004/19/EC</small>
INNER LAYER	80μ CLEAR LLDPE+mLLDPE <small>This film meets the requirements of FDA 21.CFR.177.1520 and 2004/19/EC</small>
FILL GLAND	3" BSP <small>The polymer within this gland meets the requirement of FDA 21.CFR.177.1520.</small>
DISCHARGE GLAND	2" BLUE INTEGRAL VALVE <small>The polymer within this valve meets the requirement of FDA 21.CFR.177.1520.</small>
FILL CAP	3 " WHITE <small>The polymer within these caps meet the requirement of FDA 21.CFR.177.1520.</small>
DISCHARGE CAP	2" VALVE CAP <small>The polymer within this cap meets the requirement of FDA 21.CFR.177.1520.</small>
MEMBRANE	
CUTTER	
CLIPS	VALVE CLIPS
PACKAGING	8 PCS/BOX,10 BOX/PALLET
TEST STATUS	TEST TO DESTRUCTION,1 IN 100
FOOD CONTACT STATUS	ALL MATERIALS USED COMPLY WITH THE REQUIREMENTS OF EU REGULATION 1935/2004
NOTES:	



Dimensions

a	1180	d	565	g	60
b	970	e	590		
c	1130	f	565		

15626

TOLERANCES: ALL DIMENSIONS +25 - 0 MM